

# MODULAR PLUG

## EMP SERIES



### FEATURES

- Available for round and flat-oval cable.
- Plug are available for solid wire 24-26 AWG.
- Available for non-shielded and shielded configurations to avoid EMI/RFI
- Deliver speeds up to 100 MHz.



### PART NUMBERING SYSTEM

EMP	8	8	1	E	R	2	0	1	0	0	XX	
												+---- Special Number:
												+---- Wire Diameter:
												0:Standard 1.0mm,
												1:0.9mm, 2:0.8mm, 3:0.7mm
												+---- Type:
												0:Standard, 1:Insert Type
												+---- Appearance:
												0:Standard, 1:Shielded
												+---- Dimensions:
												0:Standard, S:Short Body, L:Long Body
												+---- Material:
												0:94-V0, 2:94-V2
												+---- Cable Application:
												R:For Round Cable Type
												F:For Flat-Oval Cable Type
												+---- Selective Gold Plating Thickness:
												A:3µ" B:6µ" C:15µ" D:30µ" E:50µ"
												+---- Contact Blade Specifications:
												1:For stranded wire
												2:2 prongs contacts
												3:3 prongs contacts
												+---- Number of Contacts: 2,3,4,5,6,7,8,9,A:10
												+---- Number of Positions: 4,6,8,A:10
												+---- Series Name: EMP

### SPECIFICATIONS

#### Electric test

- A. 150 VAC Max., at 1.5 Amps.
- B. Dielectric with standing 500 VAC.
- C. Insulation Resistance: 500 MΩ.
- D. Termination Resistance: 35 mΩ.

#### Mechanical:

- A. Cable-to-plug tensile strength-20LBs(89N) Min..
- B. Durability: 500 mating cycles.

#### Material and Finished:

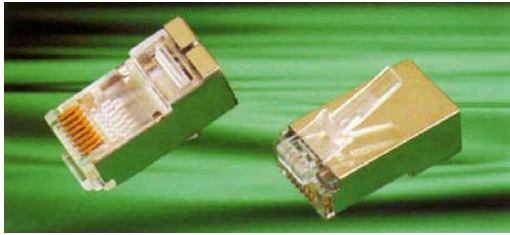
- Housing: Polycarbonate, UL94-V0  
UL94-V2
- Contact: Phosphor bronze, selective gold plated in contact area over 100µ" nickel plated.
- Shield: Nickel plated, brass.

#### Operating Temperature:

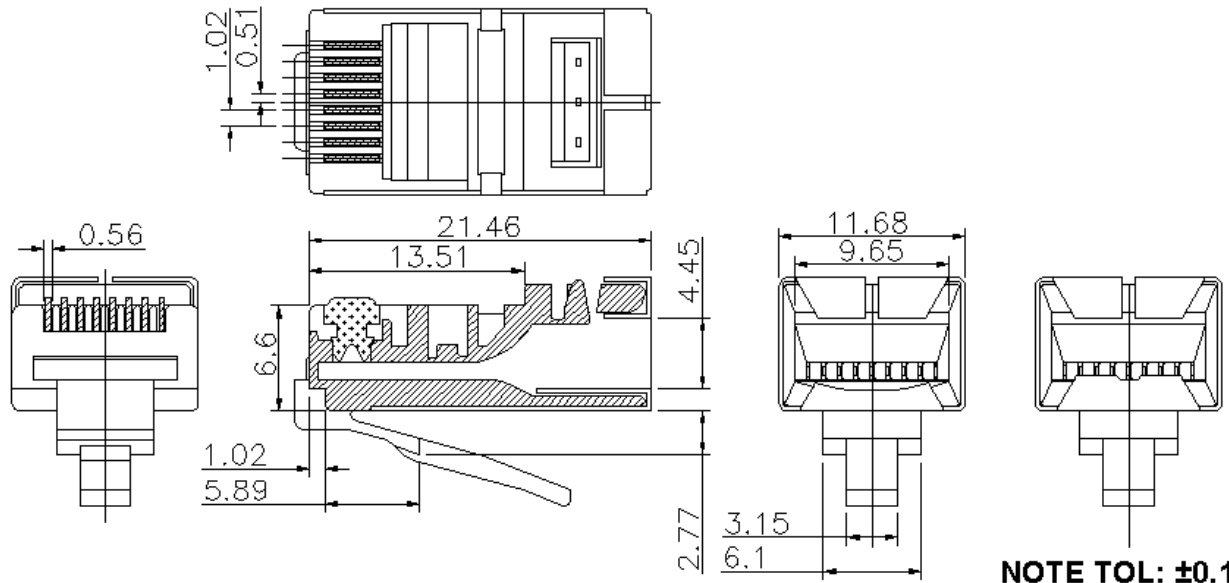
-40°C ~ +125°C

## DIMENSIONS

### ● EMP 8 POSITION SHIELDED



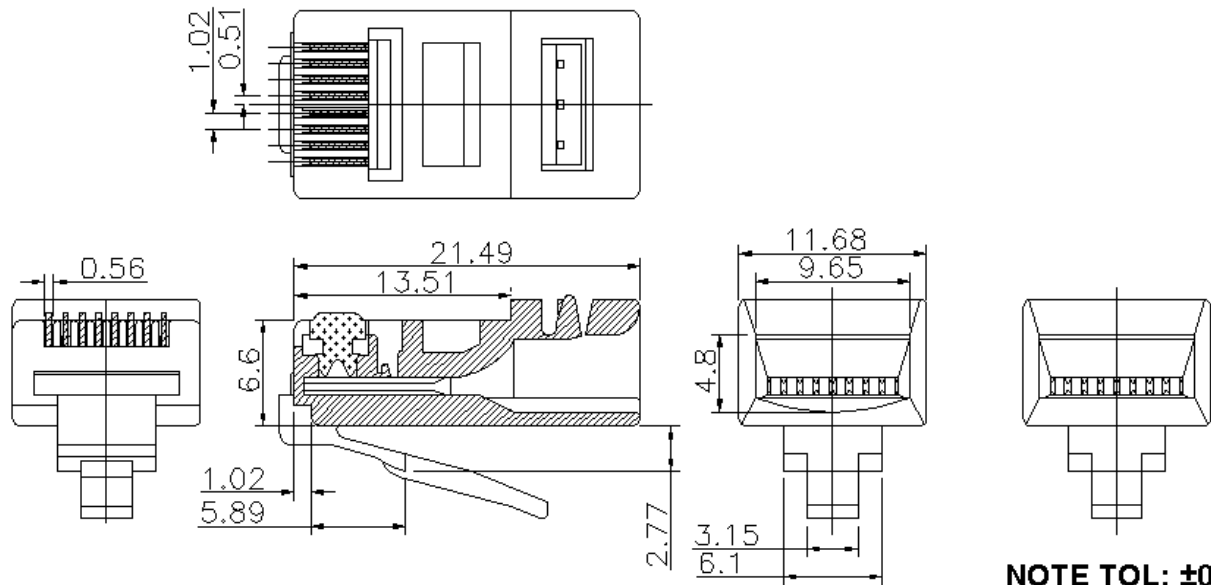
EMP 8 POSITION SHIELDED



● EMP 8 POSITION [8P8C,8P6C,8P4C]

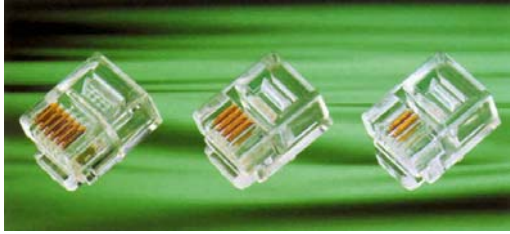


EMP 8 POSITION [ 8P8C,8P6C,8P4C ]

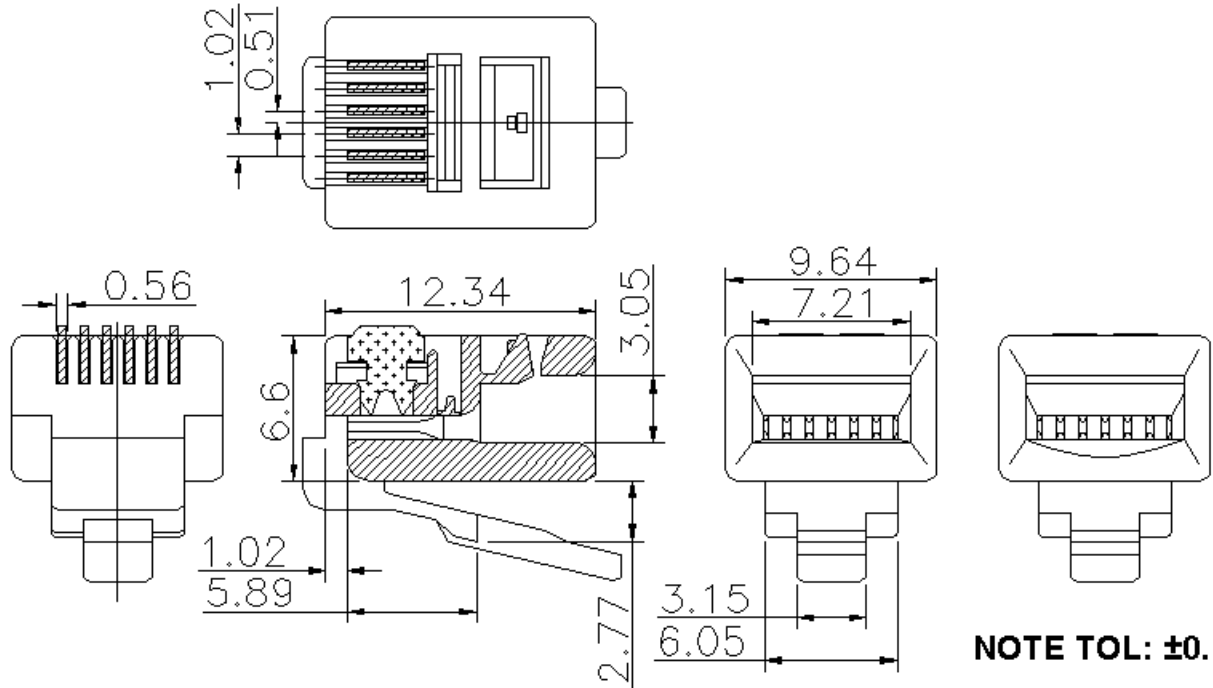


NOTE TOL: ±0.1

● EMP 6 POSITION [6P6C,6P4C,6P2C]



EMP 6 POSITION [ 6P6C,6P4C,6P2C ]

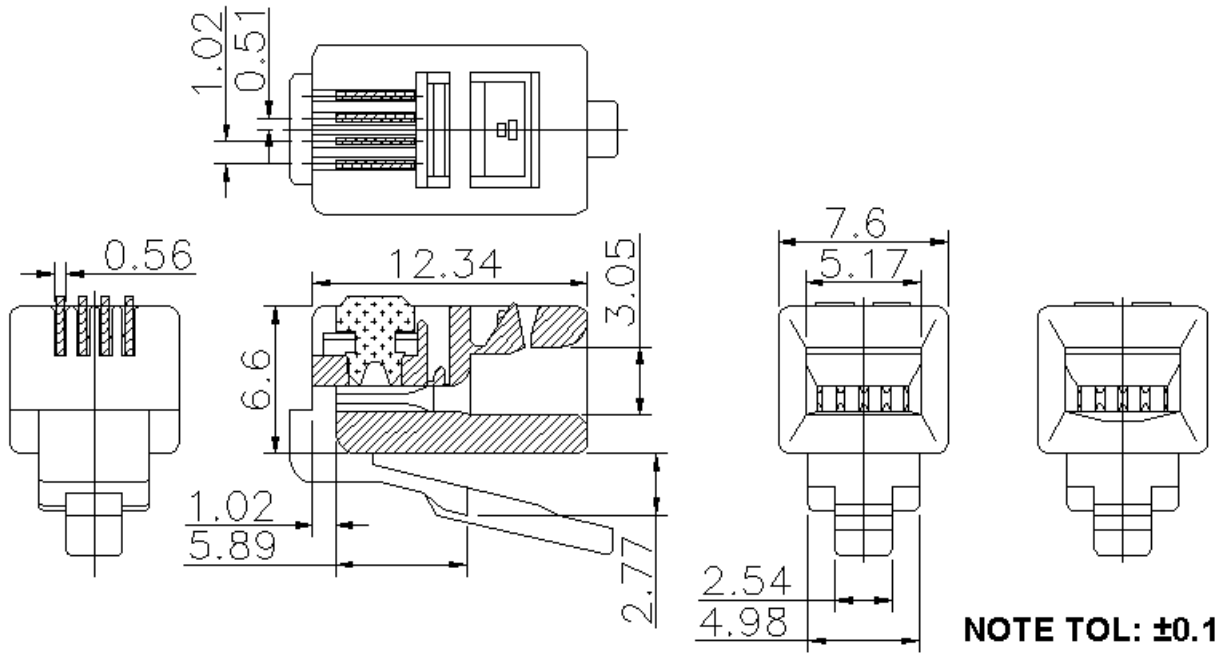


**NOTE TOL: ±0.1**

**EMP 4 POSITION [4P4C,4P2C]**



**EMP 4 POSITION [ 4P4C,4P2C ]**



**CONTACT BLADE**

